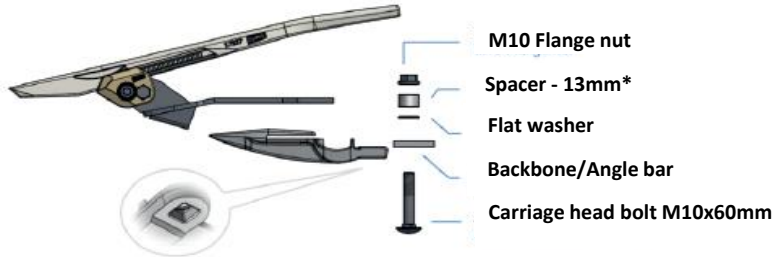


# SCHUMACHER PRO FLEX MOUNTING KITS

## # 86080178 - FOR GUARDS & SKIDS WITH SQUARE HOLES



- M10 Flange nut
- Spacer - 13mm\*
- Flat washer
- Backbone/Angle bar
- Carriage head bolt M10x60mm

\* The 13mm spacers are supplied with the *Pro Flex Croplifters*

*On some applications you may have to add flat washers to achieve an even height - see mounting instructions.*

## # 86080179 - FOR GUARDS & SKIDS WITHOUT SQUARE HOLES

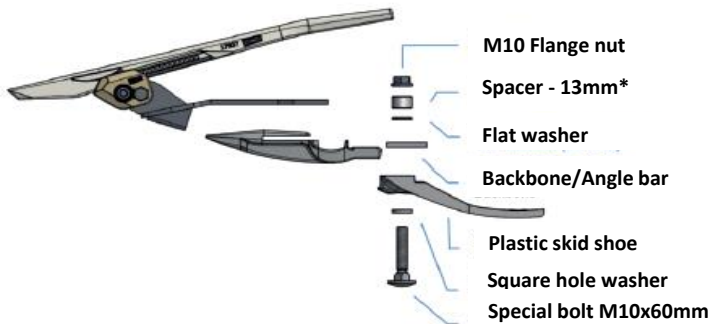


- M10 Flange nut
- Spacer - 13mm\*
- Flat washer
- Backbone/Angle bar
- HH bolt M10x60mm

\* The 13mm spacers are supplied with the *Pro Flex Croplifters*

*On some applications you may have to add flat washers to achieve an even height - see mounting instructions.*

## # 86080180 - FOR MACDON HEADER WITH SKID SHOES

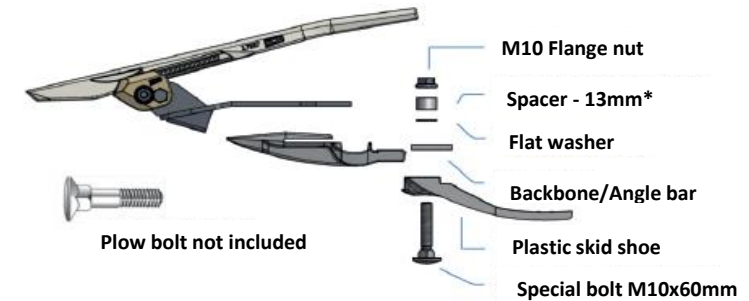


- M10 Flange nut
- Spacer - 13mm\*
- Flat washer
- Backbone/Angle bar
- Plastic skid shoe
- Square hole washer
- Special bolt M10x60mm

\* The 13mm spacers are supplied with the *Pro Flex Croplifters*

*On some applications you may have to add flat washers to achieve an even height - see mounting instructions.*

## # 86080180 - FOR HEADER WITH PLOW BOLTS (Do not need square hole washer)



Plow bolt not included

- M10 Flange nut
- Spacer - 13mm\*
- Flat washer
- Backbone/Angle bar
- Plastic skid shoe
- Special bolt M10x60mm

\* The 13mm spacers are supplied with the *Pro Flex Croplifters*

*On some applications you may have to add flat washers to achieve an even height - see mounting instructions.*

**NOTE - PRO FLEX MOUNTING KITS ARE SUPPLIED IN PACKS OF 10 ie 1 PACK CONTAINS 10 MOUNTING KITS**